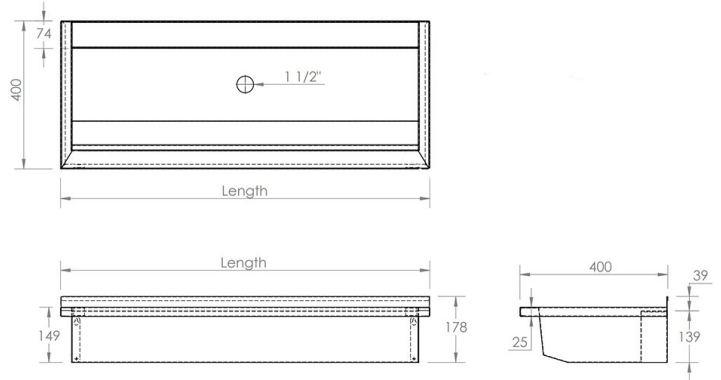


Sit On Stainless Steel Wash Trough



Product Code: SOSSWT

Sit on Stainless Steel Wash Trough

Product Code SOSSWT

Our sit on stainless steel wash trough with tap landing is designed to be installed onto a 400mm deep vanity unit (not included). The wash trough is supplied with a centre waste outlet and tap holes can be drilled to your specification. The sit-on wash trough is manufactured in eight standard sizes with the option of custom made lengths up to 3000mm.

Mounting the wash trough on a the vanity unit allows the pipework to be hidden out of harms way.

- Grade 304 stainless steel, 1.2mm thick.
- Centre 38mm flush grated waste fitting (no plug or overflow).
- 30mm flange to front and sides to sit on base unit.
- Taps shown for illustration only, available for extra price in options.

Sizes

- 500mm, 800mm, 1000mm, 1200mm, 1500mm, 1800mm, 2000mm or 2400mm long.
- 400mm front to back.
- 150mm deep with 25mm splashback.
- * 3000mm long units require special delivery, please contact us for prices*.

Delivery

- Standard sizes 2 - 3 working days.
- Made to order currently 10 - 15 working days.

Optional Extras

- Taps. Please select from options.
- McAlpine 38mm plastic bottle trap.
- Stainless steel wall mounted and deck mounted soap dispensers.
- Stainless steel paper towel dispensers.
- Solid surface base unit.

All pictures shown are for illustration purpose only and may be subject to change without notice. Actual product may vary due to product enhancement. All dimensions shown are for guidance only and may be subject to change or alteration without notice. All items manufactured or purchased separately from a third party to fit our products should be checked against the actual dimensions of the physical product before purchase. We will not be liable for third party costs and consequential loss associated with the items not fitting third party components.