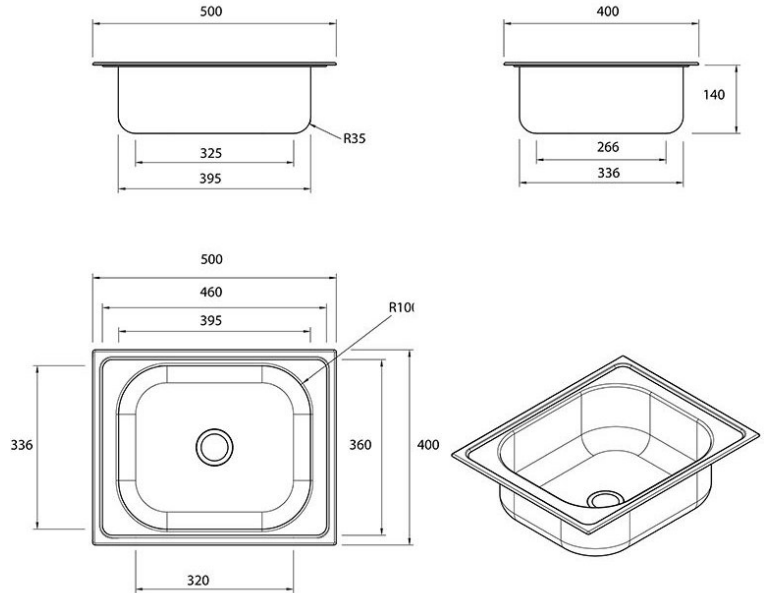


## Stainless Steel Inset Wash Basin



Product Code: INSETWB

### Inset Hand Wash Basin

Product Code INSETWB

- Stainless steel inset wash basin.
- One piece construction.
- Grade 304 stainless steel.
- Suitable for inseting into worktops.
- Supplied with two 22mm tap holes.
- Complete with 32mm flush grated waste fitting (no overflow or plug).
- Taps shown for illustration only, available for extra price in options.

#### Size

- 500mm wide.
- 400mm front to back.
- 140mm deep.

#### Delivery

- From stock usually 1 to 2 working days.

#### Optional Extras

- Pair cross head pillar taps.
- Pair time flow basin taps.
- Single time flow basin tap (cold).
- Pair lever basin taps.
- 32mm plastic bottle trap.

\*\*All pictures shown are for illustration purpose only and may be subject to change without notice. Actual product may vary due to product enhancement. All dimensions shown are for guidance only and may be subject to change or alteration without notice. All items manufactured or purchased separately from a third party to fit our products should be checked against the actual dimensions of the physical product before purchase. We will not be liable for third party costs and consequential loss associated with the items not fitting third party components.\*\*