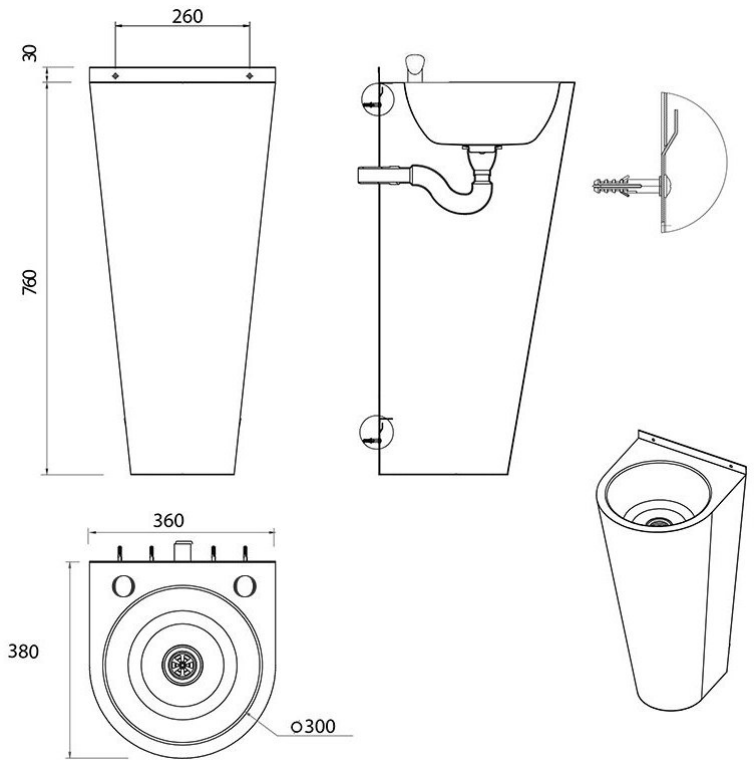


Junior Height Floor Standing Round Wash Basin



Product Code: FRWB-J

Junior Height Floor Standing Round Wash Basin

Product Code FRWB-J

Stainless steel floor standing round wash basin, waste and wall brackets. The basin is supplied with a rounded front for safety and a deep bowl to stop splashing.

- Rounded front for safety.
- Supplied with hidden wall brackets and 32mm waste fitting.
- Recommended for many applications including schools, nurseries and public buildings.
- Tap holes optional, pair 22mm tap holes, single 35mm tapholes on the left or right or no tap holes.
- Taps shown for illustration only, available for extra price in options.

Size

- 360mm wide.
- 380mm front to back.
- 760mm high plus 30mm rear upstand.

Delivery

- From stock usually 1 to 2 working days.

Options

- 32mm plastic bottle trap.

**All pictures shown are for illustration purpose only and may be subject to change without notice. Actual product may vary due to product enhancement.

All dimensions shown are for guidance only and may be subject to change or alteration without notice. All items manufactured or purchased separately from a third party to fit our products should be checked against the actual dimensions of the physical product before purchase. We will not be liable for third party costs and consequential loss associated with the items not fitting third party components.**