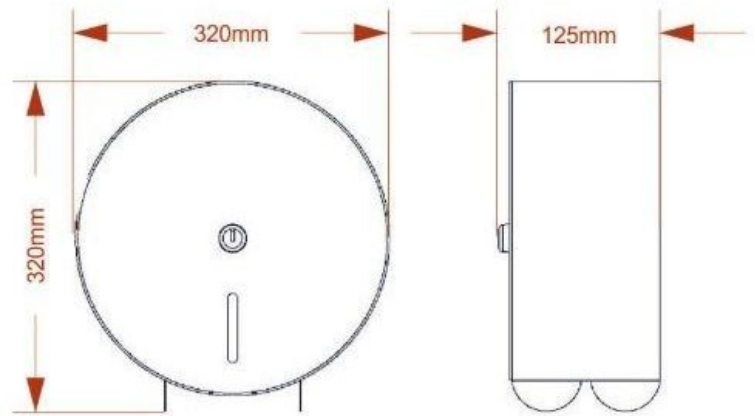


## Graphite Grey Jumbo Toilet Roll Holder



Product Code: J-PLJ41GG

### Jumbo Toilet Roll Holders In Graphite Grey

Product code J-PLJ41GG

Jumbo toilet roll holders are manufactured to hold larger size toilet rolls to give a longer interval between refill. They are ideal for busier toilet areas to prevent downtime and reduce maintenance time. Our Graphite grey range offers an attractive design whilst still being robust enough to stand up to heavy use. Jumbo toilet rolls are easily changed via the hinged lid which is held closed with a security tumbler lock with standard key that is matched to the other units. The unit takes a standard 300mm diameter extra large toilet roll with a 2 1/4" size with a visual level indicator to show how much is remaining.

- Epoxy finish in powder coat graphite grey.
- 320mm diameter.
- Maximum diameter toilet roll 300mm.
- Visual level indicator.
- Hinged lockable door for easy access.
- Locking system uses a T-bar and 118 key.
- Standard 2 1/4 inch core size toilet rolls.

#### Size

- 320mm Diameter.
- 125mm deep.

#### Delivery

- From stock usually 3 to 5 working days.

\*\*All pictures shown are for illustration purpose only and may be subject to change without notice. Actual product may vary due to product enhancement. All dimensions shown are for guidance only and may be subject to change or alteration without notice. All items manufactured or purchased separately from a third party to fit our products should be checked against the actual dimensions of the physical product before purchase. We will not be liable for third party costs and consequential loss associated with the items not fitting third party components.\*\*