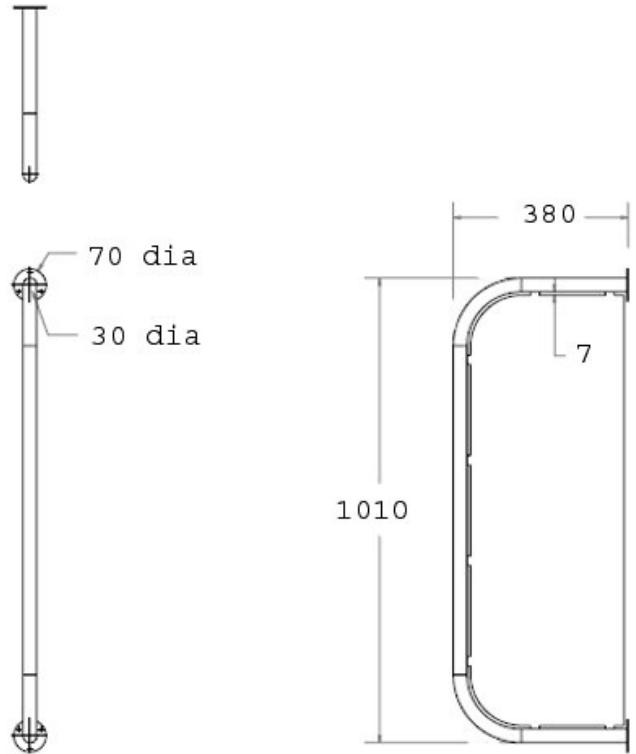


Stainless Steel Bowl Urinal Divider



Product Code: BUDIV

Stainless Steel Divider For Urinal Bowls

Product Code BUDIV

- Stainless steel bowl urinal divider.
- Manufactured with a tubular stainless steel frame with an infill panel.
- Wall fixing flanges.
- Can be used for other applications as well as a bowl urinal divider.

Size

- 1010mm high.
- 380mm projection.

Delivery

- Made to order.

All pictures shown are for illustration purpose only and may be subject to change without notice. Actual product may vary due to product enhancement. All dimensions shown are for guidance only and may be subject to change or alteration without notice. All items manufactured or purchased separately from a third party to fit our products should be checked against the actual dimensions of the physical product before purchase. We will not be liable for third party costs and consequential loss associated with the items not fitting third party components.