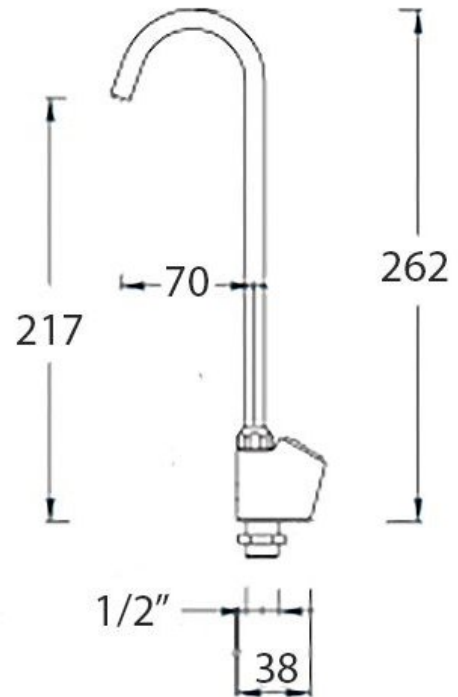


Handsfree Swan Neck Cup And Filler



Product Code: HANDSFREE_BOTTLEFILLER

WRAS Approved Handsfree Swan Neck Cup And Bottle Filler

Product Code HANDSFREE-BOTTLEFILLER

- Handsfree chrome plated brass swan neck bottle and cup filler.
- For use with our drinking fountains or as a replacement for your own drinking fountains.
- The bottle filler valve is to be used with a foot pedal.
- WRAS Approved.
- 1/2" BSP tail.
- 1/2" brass back nut and rubber washer.
- Adjustable flow control.

Delivery

- From stock 1 to 2 working days.

All pictures shown are for illustration purpose only and may be subject to change without notice. Actual product may vary due to product enhancement. All dimensions shown are for guidance only and may be subject to change or alteration without notice. All items manufactured or purchased separately from a third party to fit our products should be checked against the actual dimensions of the physical product before purchase. We will not be liable for third party costs and consequential loss associated with the items not fitting third party components.