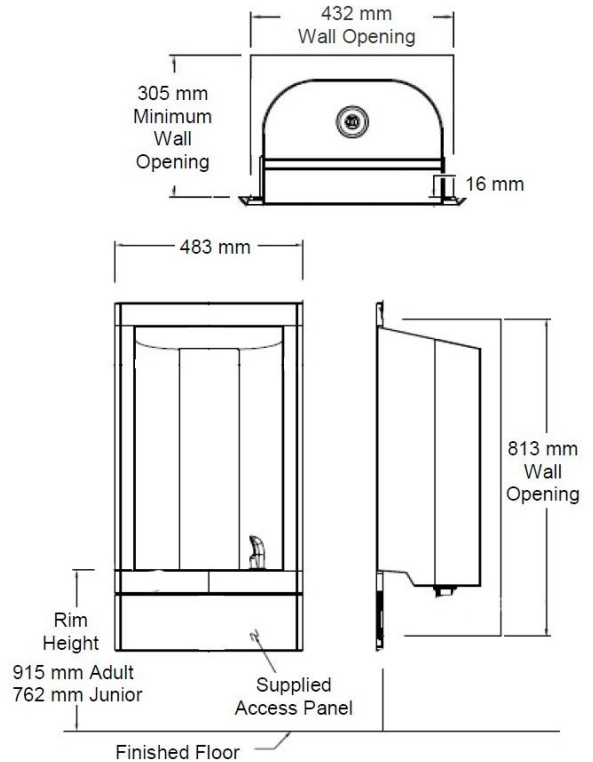


Recessed Drinking Fountain



Product Code: DFRN

Stainless Steel Recessed Drinking Water Fountains

Product Code DFRN

- Stainless steel recessed drinking fountain.
- Manufactured from 1.2mm thick stainless steel with a brushed finish.
- The recessed drinking fountain is complete with a WRAS approved press button drinking tap and 32mm flush grated waste fitting.
- The recessed drinking fountain is designed to be recessed into the wall, and secured by concealed fixing brackets.

Overall Size

- 890mm High.
- 483mm Wide.
- 305mm Front to back.

Recess Size

- 813mm high.
- 432mm Wide.
- 305mm Front to back.

Delivery

- From stock 2 to 3 working days.

All pictures shown are for illustration purpose only and may be subject to change without notice. Actual product may vary due to product enhancement. All dimensions shown are for guidance only and may be subject to change or alteration without notice. All items manufactured or purchased separately from a third party to fit our products should be checked against the actual dimensions of the physical product before purchase. We will not be liable for third party costs and consequential loss associated with the items not fitting third party components.