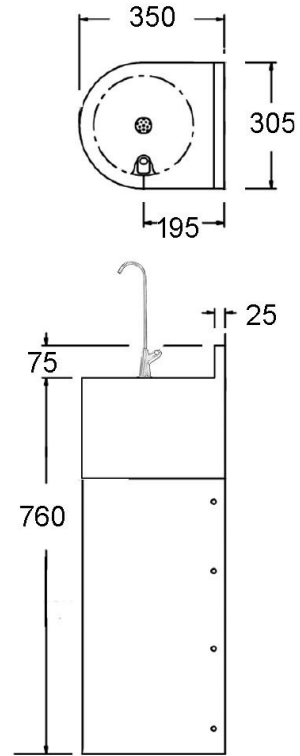


Junior Height Bottle Filling Fountain



Product Code: DFFSJ-CF

Junior Height Bottle Filling Station

Product Code DFFSJ-CF

- Manufactured from grade 304 stainless steel, 1.6mm thick with full junior height shroud to protect for durability and vandal resistance.
- Stainless steel rounded removable shroud conceals waste fitting and supply pipework and is retained by security screws.
- Supplied as standard with a WRAS approved swan neck bottle filling spout with press button time flow valve. The self closing valve helps reduce any potential wasted water.
- Rounded front design for safety.
- Compact design to be installing in suitable locations.
- Supplied with integrated wall brackets and a 32mm flush grated waste fitting.
- Suitable to be installed in nurseries, pre-schools and schools.

Size

- 350mm front to back.
- 305mm wide.
- 760mm high plus 75mm rear upstand.
- 247mm bottle filler spout height.

Delivery

- From stock usually 1 to 3 working days.

**All pictures shown are for illustration purpose only and may be subject to change without notice. Actual product may vary due to product enhancement.
All dimensions shown are for guidance only and may be subject to change or alteration without notice. All items manufactured or purchased separately from a third party to fit our products should be checked against the actual dimensions of the physical product before purchase. We will not be liable for third party costs and consequential loss associated with the items not fitting third party components.**