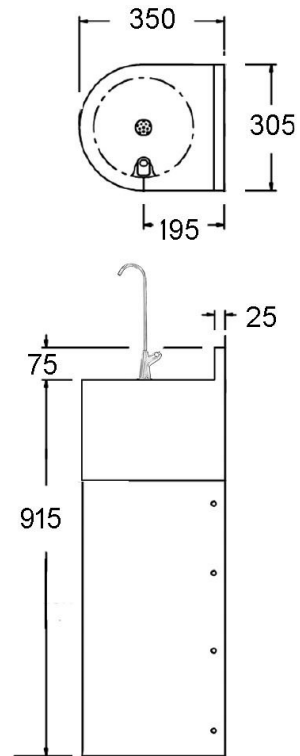


Adult Height Bottle Filling Fountain



Product Code: DFFSA-CF

Adult Height Bottle Filling Station

Product Code DFFSA-CF

- Manufactured from grade 304 stainless steel, 1.6mm thick with full adult height shroud to protect against vandalism.
- Removable stainless steel shroud to conceal waste fitting and supply pipework, retained by security screws.
- Supplied with WRAS approved swan neck bottle filling spout with press button time flow valve. The self closing valve helps reduce wasted water.
- Rounded front design to eliminate injury caused by sharp corners.
- Compact design for easy installation.
- Supplied as standard with integrated wall brackets and a 32mm flush grated waste fitting.

Size

- 350mm front to back.
- 305mm wide.
- 915mm high plus 75mm rear upstand.
- 247mm bottle filler spout height.

Delivery

- From stock usually 1 to 3 working days.

**All pictures shown are for illustration purpose only and may be subject to change without notice. Actual product may vary due to product enhancement.
 All dimensions shown are for guidance only and may be subject to change or alteration without notice. All items manufactured or purchased separately from a third party to fit our products should be checked against the actual dimensions of the physical product before purchase. We will not be liable for third party costs and consequential loss associated with the items not fitting third party components.**