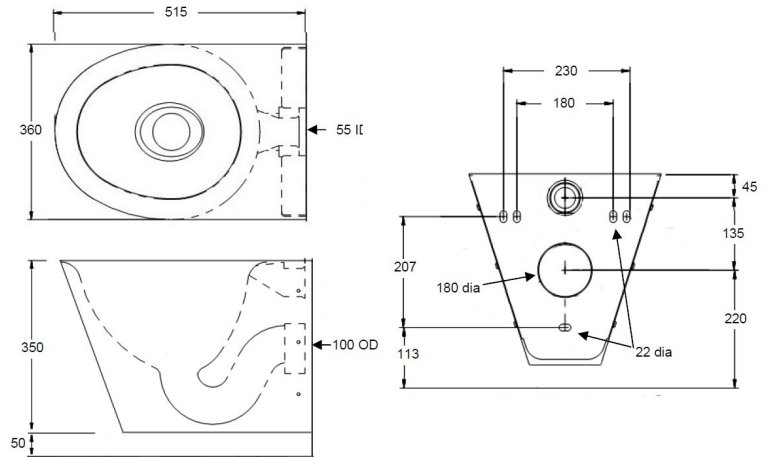


Wall Hung Stainless Steel Toilet



Product Code: WHT

Stainless Steel Wall Hung WC Pan

Product Code WHT

- Stainless steel Wall Hung Toilet with horizontal outlet.
- Manufactured from 1.6mm thick stainless steel.
- 100mm diameter horizontal outlet.
- 55mm internal diameter flushpipe connection, supplied with a 38mm rubber flushpipe connector.
- The wall hung toilet is designed for front mounting onto an in wall installation frame (not supplied).
- The wall hung toilet can also be front mounted onto a duct wall.
- Designed for areas where a hygienic clean floor is required.
- Supplied as standard with a plain top (no seat) or with optional black plastic seat and cover.

Delivery

- From stock usually 2 to 3 working days.

Options

- Low level plastic concealed cistern with a through wall push button mechanism and plastic flushpipe.

**All pictures shown are for illustration purpose only and may be subject to change without notice. Actual product may vary due to product enhancement.

All dimensions shown are for guidance only and may be subject to change or alteration without notice. All items manufactured or purchased separately from a third party to fit our products should be checked against the actual dimensions of the physical product before purchase. We will not be liable for third party costs and consequential loss associated with the items not fitting third party components.**