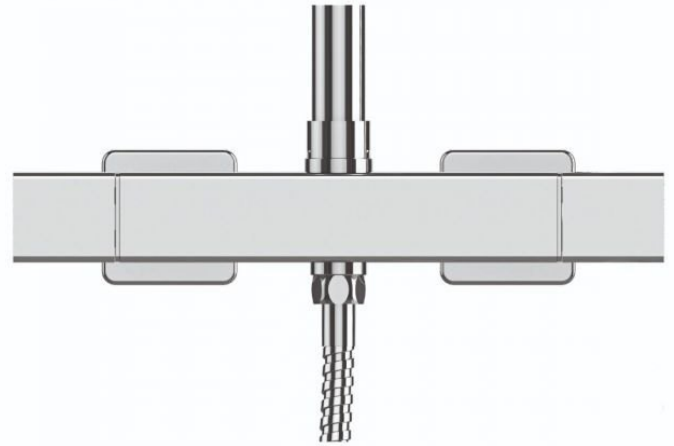


## Gainsborough Square Dual Cool Touch Shower



Product Code: AQ-GSDCTS

### Gainsborough Square Dual Cool Touch Shower

Product Code AQ-GSDCTS

- Square chrome dual head shower.
- Cool touch plastic valve with chrome plated stainless steel casing.
- Hot water Max 65°C , Cold water min 5°C.
- Inlet fitting connections - 3/4" threaded , hose connection 1/2" thread.
- Rear inlet supply - hot left / cold right (as seen from the front).
- Valve inlet at 150mm centres.
- Thermostatic temperature control with override button for extra safety.
- 1 - 5 Bar.
- Flow control with diverter to switch between shower heads.
- Headset with 3 spray modes, drencher head 1 spray mode.
- Adjustable height handset holder with push button also with angular handset adjustment.
- Adjustable telescopic shower column 850mm - 1200mm.
- Stainless steel rail.
- 200mm square drencher head, 83mm x 105mm adjustable head.
- 1.5m hose - chrome plated stainless steel.
- Includes offset elbow to accommodate pipe centres 132mm - 168mm.
- Suitable for combination boilers, balanced high pressure and gravity boosted (pumped) water systems.

#### Size

- 850 - 1200mm high.
- 288mm wide.
- 340mm deep + drencher head.

#### Delivery

- Usually 7 - 10 working days.

\*\*All pictures shown are for illustration purpose only and may be subject to change without notice. Actual product may vary due to product enhancement. All dimensions shown are for guidance only and may be subject to change or alteration without notice. All items manufactured or purchased separately from a third party to fit our products should be checked against the actual dimensions of the physical product before purchase. We will not be liable for third party costs and consequential loss associated with the items not fitting third party components.\*\*