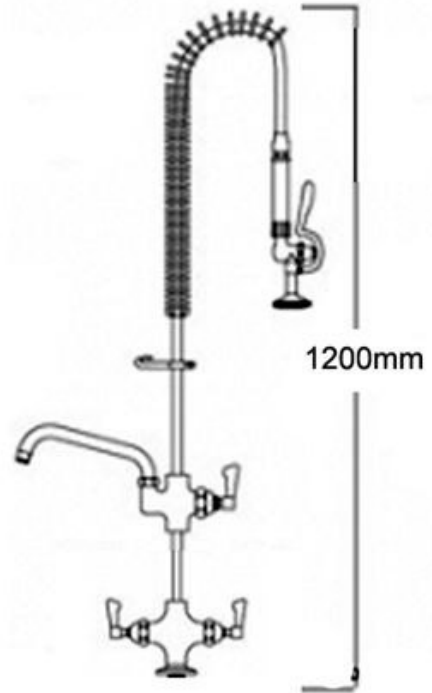


Catering Pre Rinse Spray Unit With Pot Filler - Single Tap Hole



Product Code: MCL-PRMPF

Catering Pre Rinse Spray Unit With Pot Filler - Single Pedestal Twin Supply

Product Code: PRMPF

- Catering pre rinse spray unit with single pedestal.
- Twin water supply (hot and cold water).
- Lever operated taps.
- Single 30mm tap hole required.
- Lever operated pot filler with 6, 12, or 16 inch spout.
- Hand held trigger operated spray.
- Pre assembled to save installation time unlike other makes.
- 300mm long wall bracket which can be trimmed on site,
- Strong food grade water hose.
- Factory pressure and flow tested.
- WRAS/REG4 approved.

Delivery

- Usually 3 working days.

All pictures shown are for illustration purpose only and may be subject to change without notice. Actual product may vary due to product enhancement. All dimensions shown are for guidance only and may be subject to change or alteration without notice. All items manufactured or purchased separately from a third party to fit our products should be checked against the actual dimensions of the physical product before purchase. We will not be liable for third party costs and consequential loss associated with the items not fitting third party components.