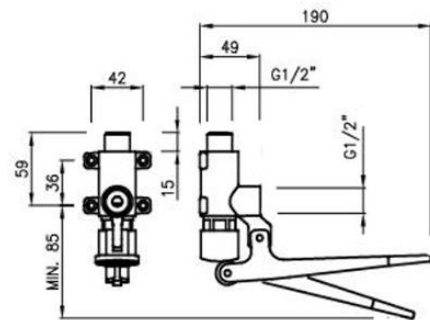
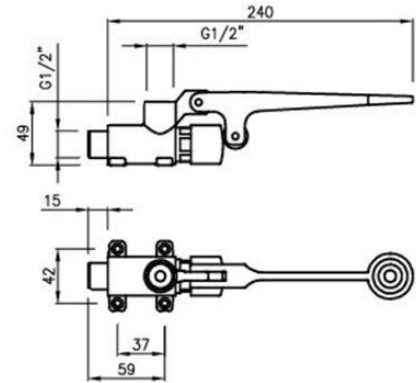


Wall Mounted Foot Lever Tap



Product Code: LFWTAP

Foot Operated Wall Mounted Lever Tap

Product Code: LFWTAP

- Foot operated lever tap.
- Wall mounted version.
- On / off operation via foot lever.
- Chrome plated brass.
- For use with a cold or pre mixed water supply.
- Requires a basin mounted or wall mounted water spout.
- Chrome plated brass body.
- Single 1/2" inlet.
- Single 1/2" outlet.

Approvals

- WRAS approved.
- Timing in conformity with EN 816.

Specification

- Max Inlet Pressure 6 bar.
- Min Inlet Pressure 0.5 bar.
- Max Inlet Temperature range 0 to 80c.
- Inlet Connection 1/2 inch.
- Outlet Connection 1/2 inch.
- Flow rate at 3 bar 12 litres per minute.

Delivery

- In stock usually 1 to 2 working days.

**All pictures shown are for illustration purpose only and may be subject to change without notice. Actual product may vary due to product enhancement.
 All dimensions shown are for guidance only and may be subject to change or alteration without notice. All items manufactured or purchased separately from a third party to fit our products should be checked against the actual dimensions of the physical product before purchase. We will not be liable for third party costs and consequential loss associated with the items not fitting third party components.**