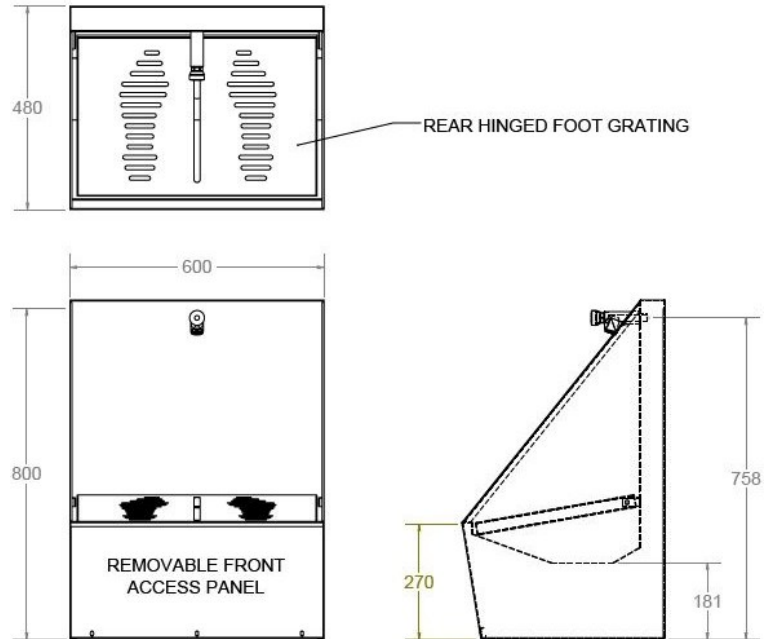


## Wudu Foot Wash Troughs - Single



Product Code: WUDU-1

### Stainless Steel Wudu Foot Wash Trough Single

The Stainless Steel Wudu Foot Wash Trough is designed for individual use, offering a stylish, durable, and hygienic solution for performing Wudu. Manufactured from high-quality grade 304 stainless steel, this compact single Wudu foot wash unit ensures both practicality and longevity, making it perfect for small spaces public or personal use. Its smooth, easy-to-clean surface guarantees an easy to clean unit for user experience.

Product Code WUDU-1

- The Wudu foot wash trough is manufactured from stainless steel for extra vandal resistance and durability.
- Single station foot wash trough for one user.
- [Double foot wash units](#), [triple foot wash units](#) and purpose made units available.
- Complete with a single press button time flow non-concussive tap for pre-mixed water supply.
- Hinged foot grid to aid cleaning.
- Wudu translates as cleaning oneself in preparation for prayer.
- Ideal for Mosques, schools, and places of worship.
- Centre waste outlet.
- 4 litres per minute flow rate to conserve water.
- WRAS approved taps.
- Please note our wudu foot wash troughs are supplied with specially modified taps that are manufactured for us to fit properly to the units unlike copies of our products that are supplied without taps.

#### Size

- 600mm long.

#### Delivery

- In stock 1 to 3 working days.

#### Options.

- [Single foot stool](#).

\*\*All pictures shown are for illustration purpose only and may be subject to change without notice. Actual product may vary due to product enhancement. All dimensions shown are for guidance only and may be subject to change or alteration without notice. All items manufactured or purchased separately from a third party to fit our products should be checked against the actual dimensions of the physical product before purchase. We will not be liable for third party costs and consequential loss associated with the items not fitting third party components.\*\*